

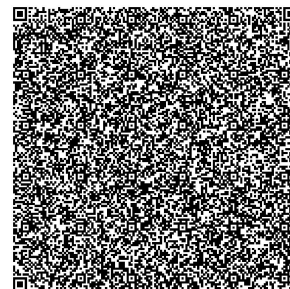
**PRODUCT DESCRIPTION:**

Asynchronous coaxial gearmotor with gear pairs and planetary reduction stage - ACE

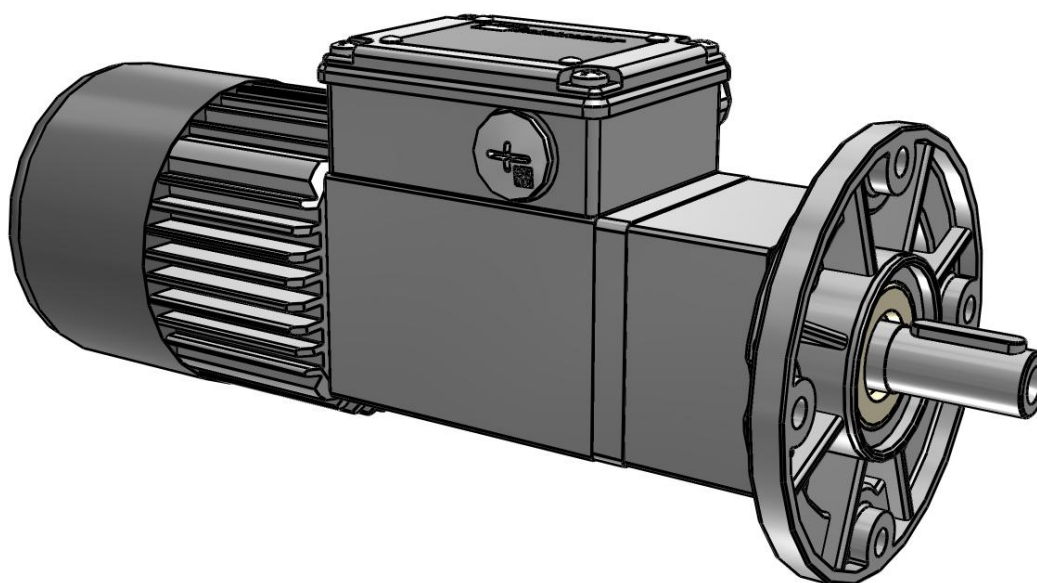
**PRODUCT CODE:**

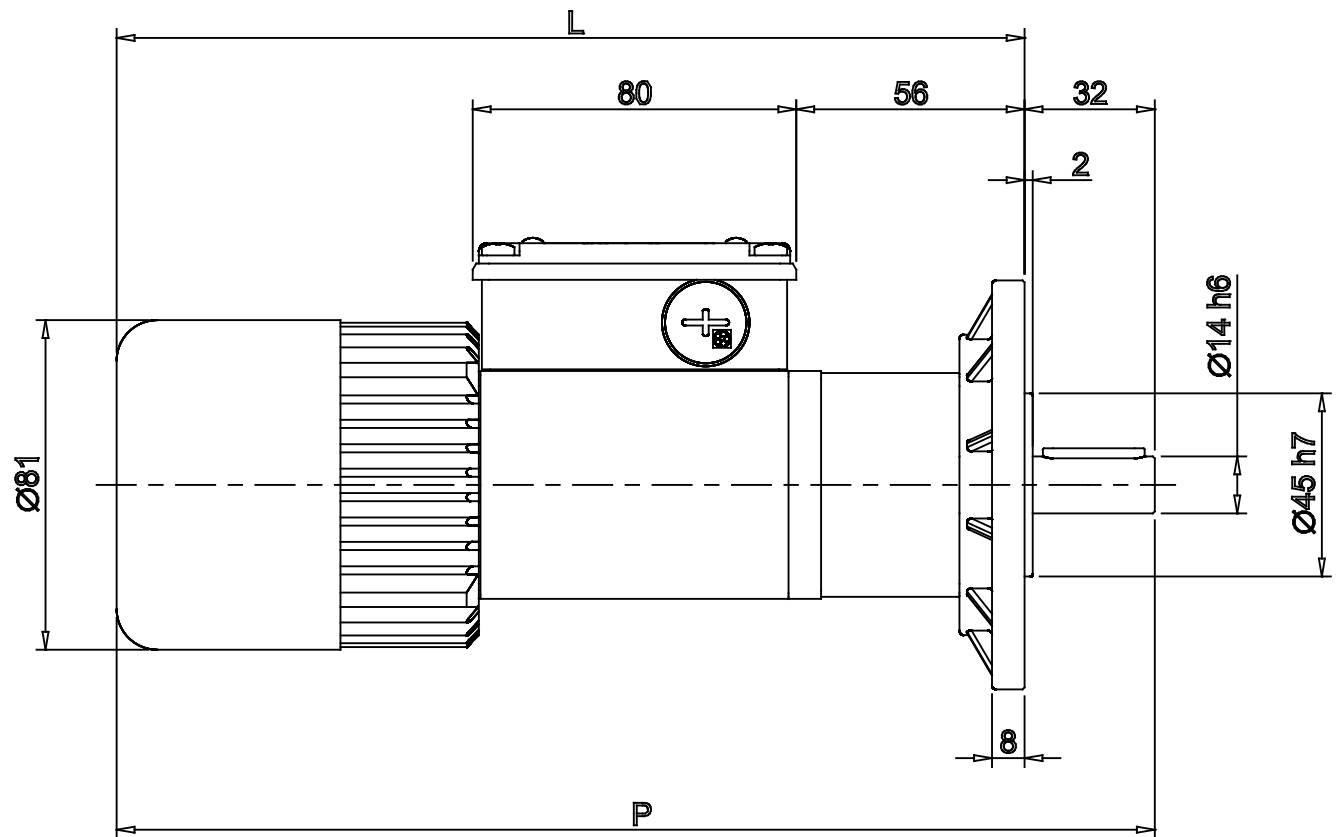
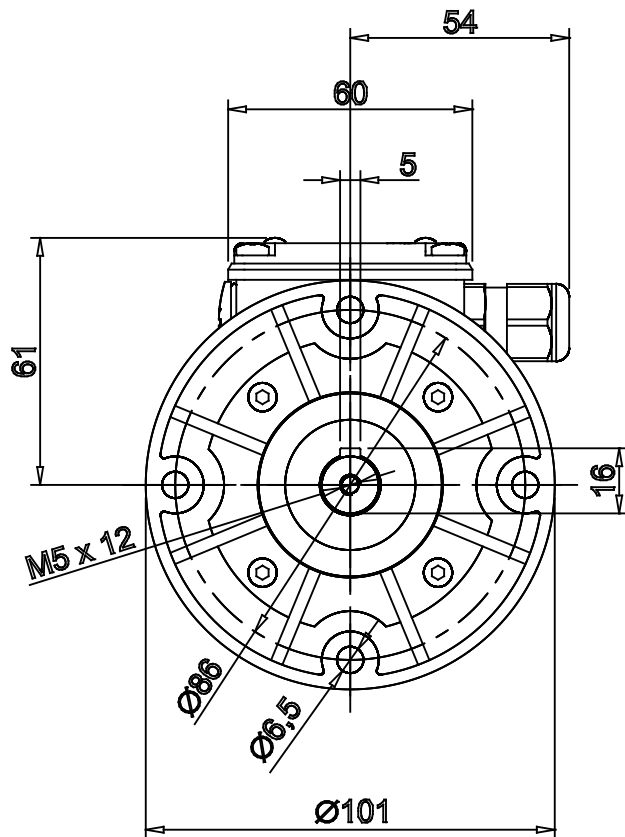
ACE 244PT 213 B5

**AUGMENTED REALITY:**



**3D VIEW:**





Type	ACE					ACEKA / ACEKB ACER / ACERA / ACERAL ACERB / ACERBL / ACERC / ACERD				
	72T 66T	100P 80P	244PT 110PT	160P2 110P2	320P2T 145P2T	72T 66T	100P 80P	244PT 110PT	160P2 110P2	320P2T 145P2T
L [mm]	223	238	238	258	258	250	265	265	285	285
P [mm]	255	270	270	290	290	282	297	297	317	317

**PRODUCT DESCRIPTION:**

Asynchronous coaxial gearmotor with gear pairs and planetary reduction stage - ACE

**PRODUCT CODE:**

ACE 244PT 213 B5

**DATA TABLE:**

Supply type	THREE PHASE
Type	ACE 244PT
Ratio	213
Gearbox info	Parallel-axis gears + planetary - 85% total efficiency
Coupling	B5 flanged
Optional	-
Shaft and screws material	Std - Steel
Lubricant	Standard
Applicable standard	CE
Delivered power	49W
No-load motor speed	2800rpm
No-load gearbox output speed	13rpm
Rated torque	23,5Nm (mech. limit in S1 service)
Supply voltage	230/400 Vac - 50Hz
Supply current	0,52/0,30 A
Capacitor	-
Optional technical data (1)	-
Optional technical data (2)	-
Optional technical data (3)	-
Optional technical data (4)	-
Optional technical data (5)	-
Optional technical data (6)	-
Optional technical data (7)	-
Optional technical data (8)	-
Optional technical data (9)	-
Cooling	Fan-cooled
Use	0+40 °C / max 90% RH / max 1000m amsl
Storage temperature	-20+60 °C
Insulation class	F (CEI EN 60034-1)
Protection degree	IP65 (CEI EN 60529)
Weight	2,94 kg